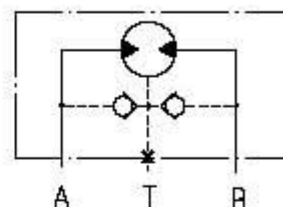


Hydraulic motors with Dual shaft type MRB... C/C



INTRODUCTION

M+S Hydraulic introduces a new series of hydraulic motors, type MRB with two shafts, which are based on well-known MR motors.

OPTIONS

- » Model- Spool valve, roll-gerotor;
- » Dual shaft;
- » Oval flange;
- » Side port;
- » Straight shafts;
- » BSPP ports;
- » Other special features.

APPLICATION

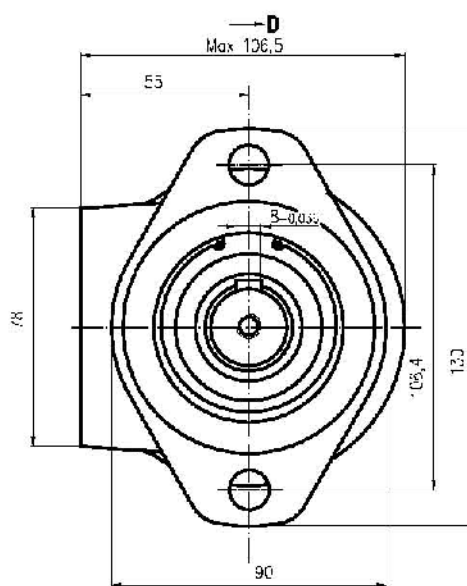
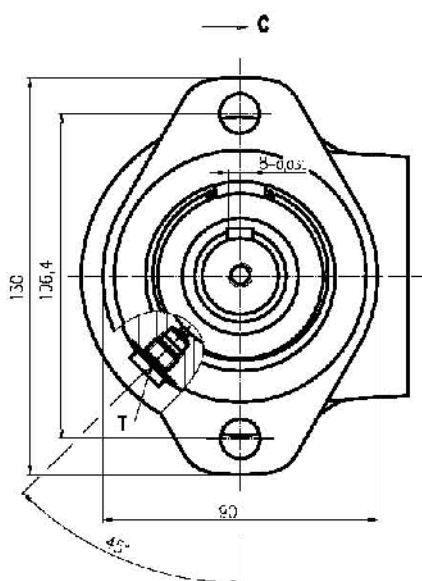
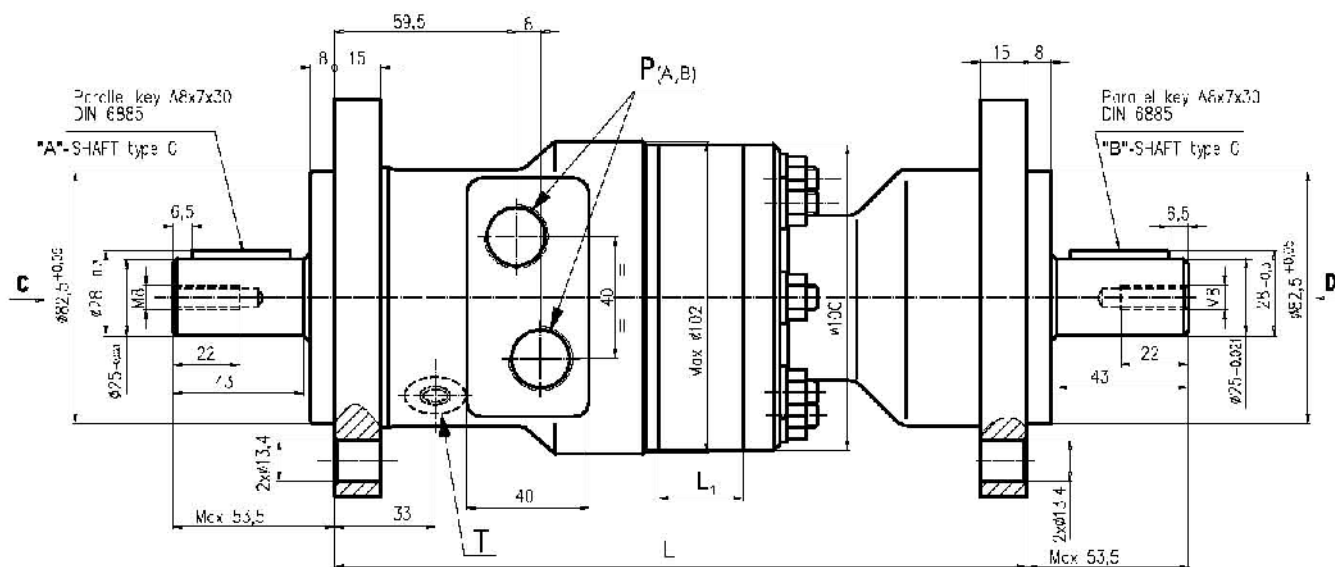
- » Conveyors;
- » Feeding mechanism of robots and manipulators;
- » Metal working machines;
- » Textile machines;
- » Machines for agriculture;
- » Food industries;
- » Mining machinery etc.

SPECIFICATION DATA

Type		MRB	MRB	MRB	MRB	MRB	MRB	MRB	MRB	
		50 C/C	80 C/C	100 C/C	125 C/C	160 C/C	200 C/C	250 C/C	315 C/C	400 C/C
Displacement, cm ³ /rev.		51,5	80,3	99,8	125,7	159,6	199,8	250,1	315,7	397
Max. Speed, RPM	cont.	775	750	600	475	375	300	240	190	150
	int.*	970	940	750	600	470	375	300	240	190
Max. Torque, daNm	cont.	10	19,5	24	30	30	30	30	30	30
	int.*	13	22	28	34	39	39	38	42	43
Max. Torque "A" Shaft, daNm	cont.	8	11,5	12	20	20	20	20	20	20
	int.*	9,5	13	14	23	23	23	23	23	23
Max. Torque "B" Shaft, daNm	cont.	4	11,5	12	20	20	20	20	20	20
	int.*	5	13	14	23	23	23	23	23	23
Max. Output, [kW]	cont.	7	12,5	13	12,5	10	8	6	5	4
	int.*	8,5	15	15	14,5	12,5	10	8	6,5	6
Max. Pressure Drop, bar	cont.	140	175	175	175	130	110	80	70	55
	int.*	175	200	200	200	175	140	110	100	80
Max. Oil Flow, lpm	cont.	40	60	60	60	60	60	60	60	60
	int.*	50	75	75	75	75	75	75	75	75
Max. Return Pressure without Drain Line, bar	cont. 0 - 100 RPM	75	75	75	75	75	75	75	75	75
	cont. 100-200 RPM	50	50	50	50	50	50	50	50	50
	cont. 200-500 RPM	20	20	20	20	20	20	20	20	20
	int.* 0 - max RPM	75	75	75	75	75	75	75	75	75

* Intermittent operation: the permissible values may occur for max. 10% of every minute.

OUTLINE DIMENSINS REFERENCE



P_(A,B): 2xG1/2 - 18 mm depth
T : G1/8 - 9 mm depth (plugged)

Type	L, mm	L ₁ , mm
MRB 50	208,0	9,0
MRB 80	213,0	14,0
MRB 100	216,0	17,4
MRB 125	220,5	21,8
MRB 160	226,5	27,8
MRB 200	233,5	34,8
MRB 250	242,5	32,5
MRB 300	253,5	39,3
MRB 400	268,0	52,4